

SWAROVSKI worldwide

## EUROPE

### AUSTRIA

SWAROVSKI AUSTRIA VERTRIEBSGES. M.B.H. & CO. KG,  
Resselstrasse 18, A - 6020 INNSBRUCK,  
Tel.: ++43/512/33488, Fax: ++43/512/334 8844

### GERMANY

SWAROVSKI (DEUTSCHLAND) GMBH,  
Hüttenstrasse 25 - 27, D - 87600 KAUFBEUREN  
Tel.: ++49/8341/970-0, Fax: ++49/8341/970 147

### FRANCE

SWAROVSKI FRANCE S.A.S.,  
15, Boulevard de Poissonnière, F - 75002 PARIS,  
Tel.: ++33/1/44 76 15 15, Fax: ++33/1/44 76 15 00

### GREECE

SWAROVSKI HELLAS S.A.,  
8, Rodon Street, GR - 17456 ALIMOS - ATHENS,  
Tel.: ++30/210/99 33 020, Fax: ++30/210/99 30 661

### GREAT BRITAIN

SWAROVSKI U.K. LTD.,  
Perrywood Business Park, Honeycrock Lane,  
GB - SALFORDS, SURREY RH1 5JQ,  
Tel.: ++44/1737/856 800, Fax: ++44/1737/856 880

### SPAIN

SWAROVSKI ILUMINACIÓN S.A.,  
Avda. Alquería de Mina 8, Zona ind., E - 46200 PAIPORTA (VALENCIA),  
Tel.: ++34/96/397 4004, Fax: ++34/96/397 2988

### ITALY

D'ANGELO RAPPRESENTANZE S.R.L.,  
Via Monte Novegno, 21/22, I - 36016 THIENE,  
Tel.: ++39/0445/366995, Fax: ++39/0445/380690

### CZECH REPUBLIC

SWAROVSKI BOHEMIA SPOL. S.R.O.,  
Dolní náměstí 5, CZ - 46601 JABLONEC NAD NISOU  
Tel.: ++420/483/312 621, Fax: ++420/483/312 629

## MIDDLE EAST

### INDIA

SWAROVSKI INDIA PRIVATE LIMITED, SALES OFFICE,  
A center, 4 LSC, Pockets 6 & 7, Sector C,  
Vasant Kunj, IN - NEW DELHI - 110 070,  
Tel.: ++91/11/26136000, Fax: ++91/11/26136065

### UAE

SWAROVSKI MIDDLE EAST FZE,  
Roundabout No. 6, P.O.Box 17128,  
UAE - JEBEL ALI FREE ZONE - DUBAI,  
Tel.: ++971/4/881 6562, Fax: ++971/4/881 5623

### IRAN

SWAROVSKI MIDDLE EAST FZE  
Tehran Representative Office,  
Argentina Square No. 1, Office No. 5,  
Tehran, IRAN  
Tel: ++98/21/8732594, Fax: ++98/21/8732594

## NORTH- AND SOUTH AMERICA

### BRAZIL

SWAROVSKI CRYSTAL COMPONENTS LTDA.,  
Alameda Itú, 852 - 13. andar,  
BR - 01421-001, JARDINS - SAO PAULO,  
Tel.: ++55/11/3088 8821, Fax: ++55/11/3088 5976

### USA

SWAROVSKI NORTH AMERICA LTD.,  
Division Swarovski Lighting Parts Ltd.,  
29 West 57th Street - 9th floor, USA - NEW YORK, N.Y. 10019  
Tel.: ++1/212/935 6110, Fax: ++1/212/935 6112

## ASIA

### JAPAN

SWAROVSKI JAPAN LTD.,  
Shinagawa-Mitsubishi Bldg. 6F, 2 - 16 - 4 Konan,  
Minato-ku, J - TOKYO 108-0075  
Tel.: ++81/3/6718 2382, Fax: ++81/3/6718 2383

### HONG KONG

SWAROVSKI HONG KONG LTD.,  
9th Floor, 1063 King's Road, Quarry Bay, HK - HONG KONG,  
Tel.: ++852/2566 6301, Fax: ++852/2250 9300

### SINGAPORE

SWAROVSKI SINGAPORE TRADING PTE. LTD.,  
2 Alexandra Road, No 03 - 01 Delta House, SI - SINGAPORE 159919,  
Tel.: ++65/6/273 0707, Fax: ++65/6/274 8177

### INDONESIA

SWAROVSKI SINGAPORE TRADING PTE. LTD  
(Indonesia Representative Office),  
Menara Kadin 24th Floor, Unit F, Jl. H. R. Rasuna Said Block X-5 Kav. 2-3  
Jakarta 12950, INDONESIA  
Tel.: ++6221/5790 4246 / 47 / 48, Fax: ++6221/5790 3995

### PHILIPPINES

SWAROVSKI SINGAPORE TRADING PTE. LTD.  
(Philippines Representative Office),  
Unit 2507, 25/F Orient Square Bldg, Emerald Avenue, Ortigas Center,  
Pasig City, PHILIPPINES 1606  
Tel.: ++632/687 1243, Fax: ++632/687 1283

### THAILAND

THAILAND REPRESENTATIVE OFFICE  
SWAROVSKI SINGAPORE TRADING PTE LTD.  
849 Vorawat Building, Office Unit No. 601, 6th Floor  
Silom Road, Bangrak, Bangkok, 10500 THAILAND  
Tel.: ++662/635 1590, Fax: ++662/635 1585

### TAIWAN

R.O.C., SWAROVSKI ASIA LTD.,  
Taiwan Branch, 3F, No. 27, Chung Shan North Road, Section 1,  
TAIW - TAIPEI 104,  
Tel.: ++886/2/210 02 611, Fax: ++886/2/210 02 622

## AUSTRALIA

SWAROVSKI INTERNATIONAL (AUSTRALIA) PTY. LTD.,  
12 Primrose Avenue, PO Box 185, AUS - ROSEBERRY / NSW 1445,  
Tel.: ++61/2/834 5 7200, Fax: ++61/2/931 3 6506

## FURTHER MARKETS:

D. Swarovski & Co / Crystal Architecture,  
A-6112 WATTENS / AUSTRIA,  
Tel.: ++43/5224/500-0, Fax: ++43/5224/500-1588



A vision turns to light

# LIGHT DIMENSIONS NOVELTIES



## CRYSTAL REFLECTOR

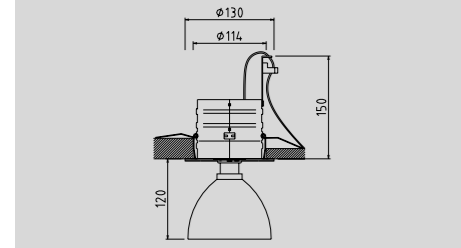
Bright, pleasant light illuminates the space.  
Crystal Reflector guides our eyes, focuses our perception to appreciate the essential, pure, puristic, precious.



### FLEXILE

Design: Rafa Ortega

Functional, height adjustable recessed spot with swivel and tilt joint and decorative crystal reflector.  
The faceted crystal reflector provides task lighting and attractive decoration.  
Recommended lamp: halogen low-voltage, max. 50W, 12V,  
pin base GY6.35 (included in the scope of delivery)  
Weight: 1,680 g  
Depth of insertion: 150 mm  
Ceiling thickness: 15 – 30 mm  
Ceiling opening: 114 mm



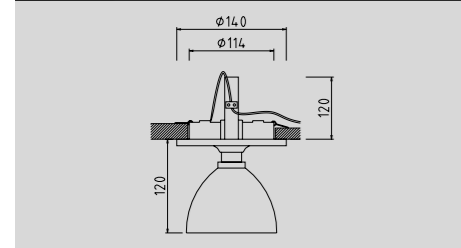
A.9950 NR 600 011 chrome



### CENTRO

Design: Rafa Ortega

Fixed recessed spot with decorative crystal reflector.  
The faceted crystal reflector gives the environment a touch of luxury.  
Recommended lamp: halogen low-voltage, max. 50W, 12V,  
pin base GY6.35 (included in the scope of delivery)  
Weight: 1,080 g  
Depth of insertion: 120 mm  
Ceiling thickness: 15 – 30 mm  
Ceiling opening: 114 mm



A.9950 NR 600 012 chrome



### GRAVITY

Design: Rafa Ortega

Elegant pendant spot with surface mounted housing and decorative crystal reflector.  
Max. pendant length approximately 180 cm, adjustable length.  
Recommended lamp: halogen low-voltage, max. 50W, 12V,  
pin base GY6.35 (included in the scope of delivery)  
Surface mounted housing with integrated electronic transformer (included in the scope of delivery).  
Weight: 1,350 g



A.9950 NR 600 013 chrome

"Crystal Reflector" luminaires available from 1<sup>st</sup> June 2005 on.

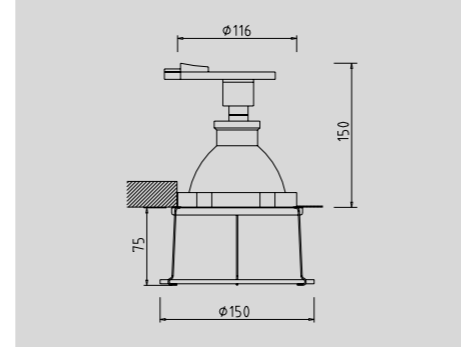
## CRYSTAL ATTRACTION

High spaces, high standards: Crystal Attraction is big and powerful.  
Its light is intensive and at the same time functional – yet its reflections give the whole a distinct touch of elegance.



### ELEGANCE CRYSTAL

Attractive built-in HIT-luminaire featuring a suspended crystal ring element with hand-set crystals.  
Lamp including protection pane and external electronic lamp ballast (Wieland plug connector)  
Recommended lamp: halogen metal vapour lamp Philips CDM-T 35W,  
pin base G12 (not included in the scope of delivery)  
Weight: 1,400 g  
Depth of insertion: 150 mm  
Ceiling thickness: 1 – 25 mm  
Ceiling opening: 116 mm

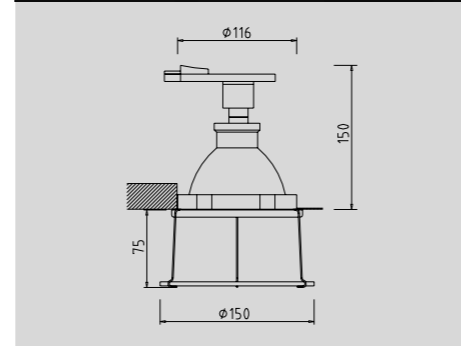


A.8992	NR 000 100	white
A.8992	NR 000 200	chrome
A.8992	NR 000 300	gold-plated



### ELEGANCE AB

Attractive built-in HIT-luminaire featuring a suspended crystal ring element with hand-set crystals.  
Lamp including protection pane and external electronic lamp ballast (Wieland plug connector)  
Recommended lamp: halogen metal vapour lamp Philips CDM-T 35W,  
pin base G12 (not included in the scope of delivery)  
Weight: 1,400 g  
Depth of insertion: 150 mm  
Ceiling thickness: 1 – 25 mm  
Ceiling opening: 116 mm



A.8992	NR 000 101	white
A.8992	NR 000 201	chrome
A.8992	NR 000 301	gold-plated

"Crystal Attraction" luminaires available from 1<sup>st</sup> June 2005 on.

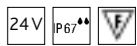
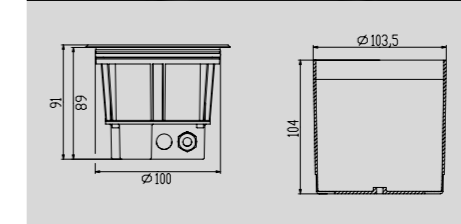
## RECESSED LED SPOTS

Facets shift, light begins to dance – whenever it touches an object: a table,  
a chair, or a suitcase in motion.



### SWING

Round, elegant, faceted recessed crystal with decorative lamp.  
For floor and wall mounting.  
Power supply: 24V DC  
Capacity: max 1.5 W  
Weight: 650 g  
Protection class: IP 67  
Resists walking and rolling loads \*)  
This item is delivered with mounting box

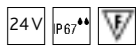
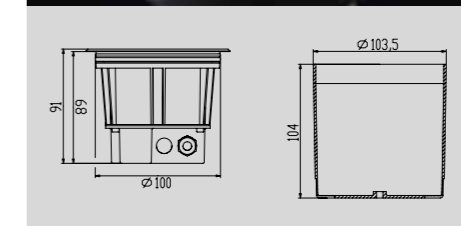


A.9943 NR 000 022



### JAZZ

Square, brilliantly reflecting recessed crystal with decorative lamp.  
For floor and wall mounting.  
Power supply: 24V DC  
Capacity: 2 W  
Weight: 600 g  
Protection class: IP 67  
Resists walking and rolling loads \*)  
This item is delivered with mounting box



A.9943 NR 000 023

\*) Resistant to rolling loads up to 20 km/h

**CE** All luminaires are labelled with the CE mark ("Certified Europe" resp. "Communauté Européenne").  
This identification confirms the conformity of the product with the "basic requirements" of the applicable European guidelines.

LED recessed spots "Swing" and "Jazz" available from 1<sup>st</sup> July 2005 on.